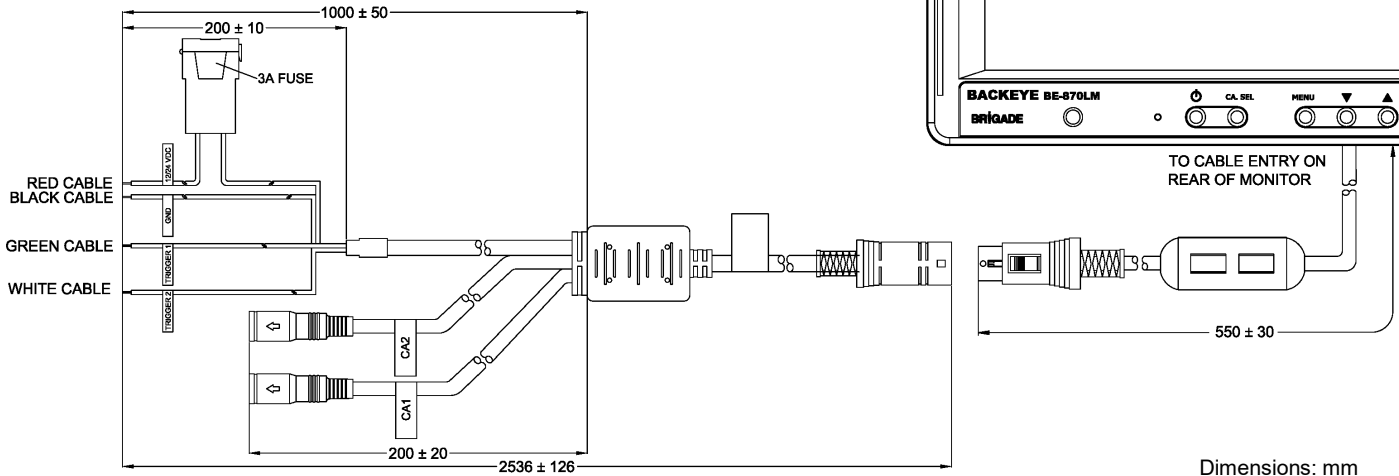
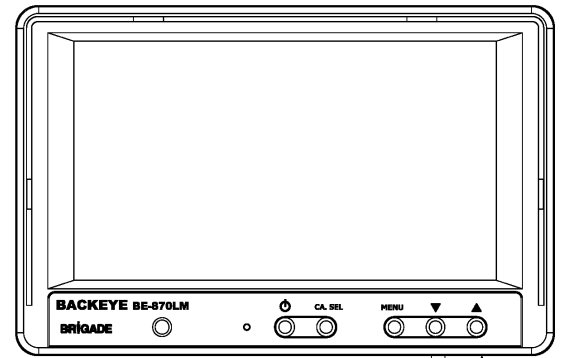


Product Specification



Brigade Model Number: BE-870LM
Brigade Part Number: 2705B



Dimensions: mm

Product Specification

Environmental Specifications:

- Shock Rating: 51 G (All 3 Axis - 6 directions)
- Vibration Rating: 2.5 G (All 3 Axis each 8hr random)
- Connector IP Rating: IP40
- Monitor IP Rating: IP30
- Operating Temperature: -30°C to +70°C
- Storage Temperature: -30°C to +85°C

Approved Standards:

- CE - (EN 61000-6-2:2005 + AC:2005) / (EN 61000-6-3:2007 + A1:2011 + AC:2012)
- 'E' Mark - (ECE Regulation 10 Rev 05) (ECE Regulation 46 Rev. 06 with SS-002/ VBV-300C/ VBV-320C/ BE-800C/ BE-850C/ BE-890C)
- FCC - (47 CFR Part 15 Subpart B)
- IC - (ICES 003 Issue 6)
- ISO 13766:2006 / EN 13309:2010
- RoHS
- WEEE

Technical Specifications:

- Operating Voltage: 12 / 24 Vdc
- Current Consumption: ≤ 1A @ 12Vdc
- Power Consumption: ≤ 12W @ 12Vdc
- TV System: PAL / NTSC
- Display Size: 7.0" (diagonal)
- Resolution: 800 x (RGB) x 480
- Contrast Ratio: 500:1
- Brightness: 400 cd/m²
- Display Viewing Angle: 50(T), 70(B), 70(L), 70(R)
- Number of Video Inputs:
 - 4 pin BE Connector: 2
- Number of Triggers Inputs: 2
- Mirror/Normal via OSD Menu: All Channels
- Tilt camera support: All Channels

Technical Specifications Continued...

- Shutter camera support: All Channels
- Speaker Rating: 8Ω @ 1 Watt
- Monitor Dimensions: (Without Sunshield) 197 mm (W) x 33.5 mm (D) x 128 mm (H)
- Monitor Weight: Approx. 550 Grams
- Video Input Impedance: 1.0 Vp-p / 75Ω
- Cable Thickness:
 - Power Cables: 18 AWG
 - Trigger Cables: 22 AWG
- Cable Length:
 - Monitor Pigtail: 550 ± 30mm
 - Cable Adapter: 2536 ± 126mm
- Casing Material: ABS
- Finish / Colour: Paint / Dark Grey

Features:

- High quality digital LCD with LED backlight.
- Low reflection TFT LCD (Anti Glare).
- Integrated ambient light sensor for image dimming.
- Illuminated keypad.
- Keypad disable/lock via OSD menu.
- Integrated large speaker.
- Automatic detection of PAL or NTSC signal.
- 8 x On Screen Display (OSD) languages: (English, French, German, Spanish, Italian, Dutch, Portuguese, Russian)
- Configurable trigger off delay (0-20 sec.)
- Configurable auto scan delay (0-20 sec.)
- 2 variations of electronic on screen markers.

Package Contents:

- 1x BE-870LM-M - Monitor
- 1x BE-870LM-CA - Cable Adapter
- 1x BE-870LM-SS - Sunshield
- 1x BMM-022 - Pedestal Bracket
- 1x BE-870LM-IG - Installation Guide